

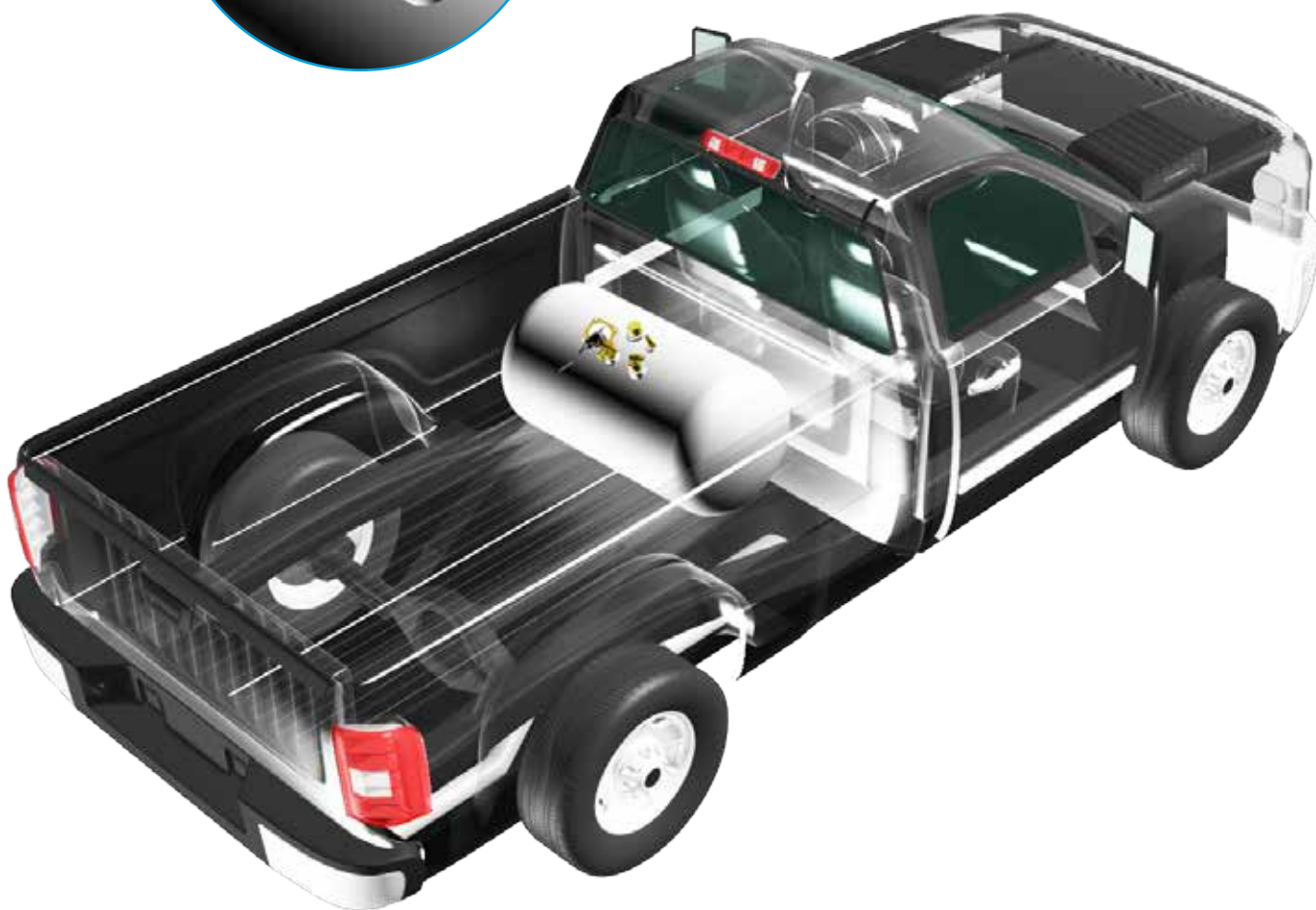
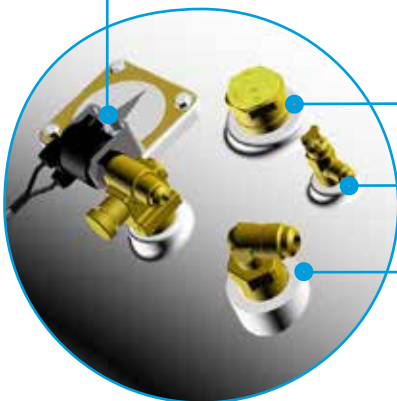


Solenoid Service Valve

Relief Valve 1" NPT 312 PSI

Fixed Liquid Level Gauge

Remote Filler Valve





Multivalve

6



Fixed Liquid Level Gauges

7



Direct Filler Valve

8



Remote Filler Valve

9



Solenoid Service Valve

10



Manual Service Valve

11



Relief Valves

12



Accessories

13

## Multivalve

- Complete range from 180 to 270 ( toroidal version ) and from 200 to 360 (cylindrical version)
- Greater safety for customers and installers
- Double safety due to the absence of transfer gears and plastic mechanisms
- Single solution for all engine capacities



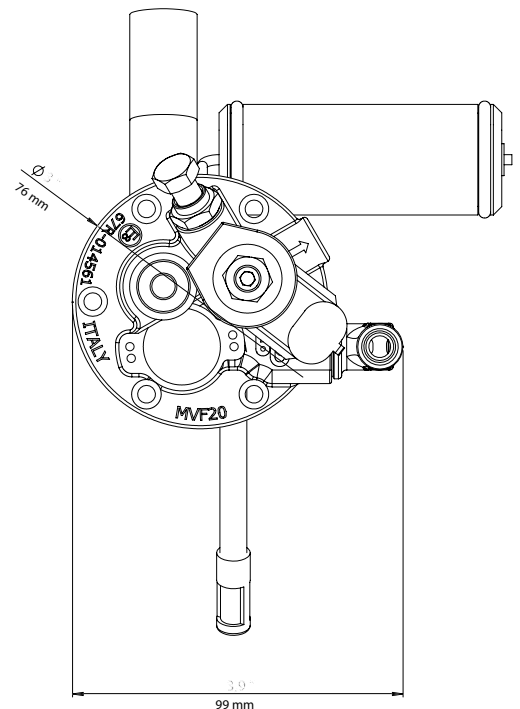
Code: MVF20

### GENERAL INFORMATION

<b>APPLICATION</b>	Automotive
<b>MATERIAL</b>	Brass

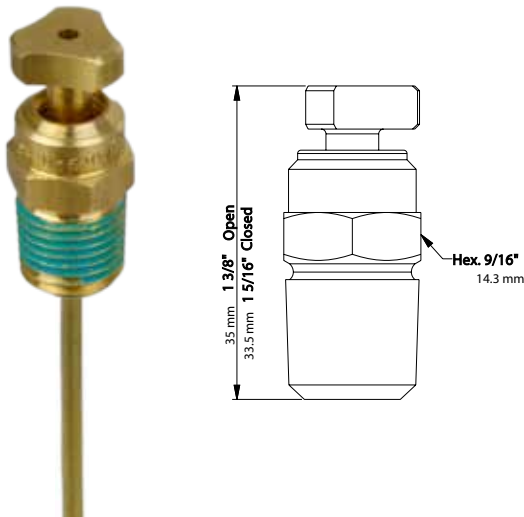
### TECHNICAL DATA SHEET

Description	Value	
<b>MAX WORKING PRESSURE</b>	30 bar - 435 psi	
<b>WORKING TEMPERATURE</b>	-20°C + 65°C / 68 °F + 149 °F	
<b>CONTAINER CONNECTION</b>	n° 6 x 5 mm x 0,8 mm	
<b>PRV SETTING</b>	27 +/- 1 bar / 392 +/- 15 psi	
<b>OUTLET FITTING</b>	M10 X 1 Pipe Diameter: 6mm Optional 8 mm Pipe Diameter Available	
<b>INLET FITTING</b>	1/4 GAS	
<b>COIL VOLTAGE</b>	12 V DC	
<b>COIL ASORPTION</b>	11 W	
<b>SOLENOID VALVE HOLE</b>	Valve Type: Normal	3.2 mm / 1/8 "
	Valve Type: Piloted	4 mm / 5/32 "



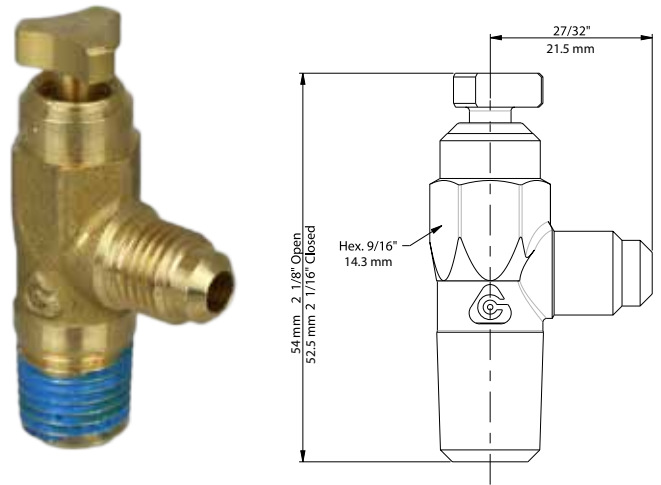
## Fixed Liquid Level Gauge

- Optional instruction plate available
- Pre-applied sealant on the container connection



Code: 66.0.290.1124

## Remote Fixed Liquid Level Gauge



Code: 66.0.290.1161

### GENERAL INFORMATION

<b>APPLICATION</b>	Automotive
<b>MATERIAL</b>	Brass

### TECHNICAL DATA SHEET

Description	Value
<b>WORKING PRESSURE</b>	17.2 bar - 250 psi
<b>WORKING TEMPERATURE</b>	-40°C + 54.4°C / -40 °F + 130 °F
<b>CONTAINER CONNECTION</b>	Fixed Liquid Level Gauge: 1/4" M.NPT
	Remote Fixed Liquid Level Gauge: 1/4" M.NPTF



## Direct Filler Valve with OPD

- Fitted with an OPD device 80% fill limiter
- Pre-applied sealant on the container connection
- Different OPD types available according to tank diameter



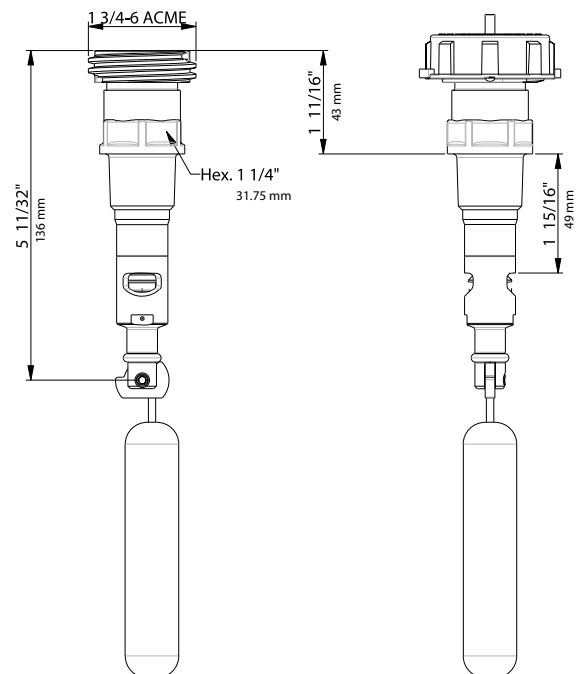
Code: 66.0.290.1154

### GENERAL INFORMATION

<b>APPLICATION</b>	Automotive
<b>MATERIAL</b>	Brass

### TECHNICAL DATA SHEET

Description	Value
<b>WORKING PRESSURE</b>	17.2 bar - 250 psi
<b>WORKING TEMPERATURE</b>	-40°C + 54.4°C / -40 °F + 130 °F
<b>TANK CONNECTION</b>	3/4" NPT
<b>FILLER CONNECTION</b>	1 3/4" ACME
<b>WRENCH FLAT SIZE</b>	31.75 mm / 1 1/4"



## Remote Filler Valve with OPD

- Fitted with an OPD device 80% fill limiter
- Pre-applied sealant on the container connection
- Incorporates standard 1' 1/16" Hex wrench flat that allows easy installation from the top with a socket wrench
- Different OPD types available according to tank diameter
- Please specify tank diameter when ordering



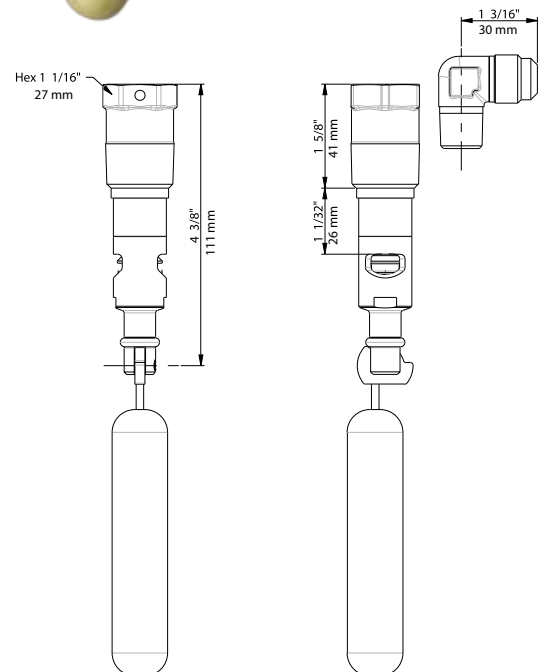
Code: 66.0.290.1157

### GENERAL INFORMATION

<b>APPLICATION</b>	Automotive
<b>MATERIAL</b>	Brass

### TECHNICAL DATA SHEET

Description	Value
<b>WORKING PRESSURE</b>	17.2 bar - 250 psi
<b>WORKING TEMPERATURE</b>	-40°C + 54.4°C / -40 °F + 130 °F
<b>TANK CONNECTION</b>	3/4" NPT
<b>FILLER CONNECTION</b>	1/2" SAE
<b>WRENCH FLAT SIZE</b>	27 mm / 1 1/16"



## Solenoid Service Valve 12V

- Can be fitted to all tank sizes upon request
- Pre-applied sealant on the container connection
- Equipped with excess flow and manual shutoff device.
- Voltage : 12V

- New model with reduced size
- Superseal electric connection



Code: 73.0.390.0001



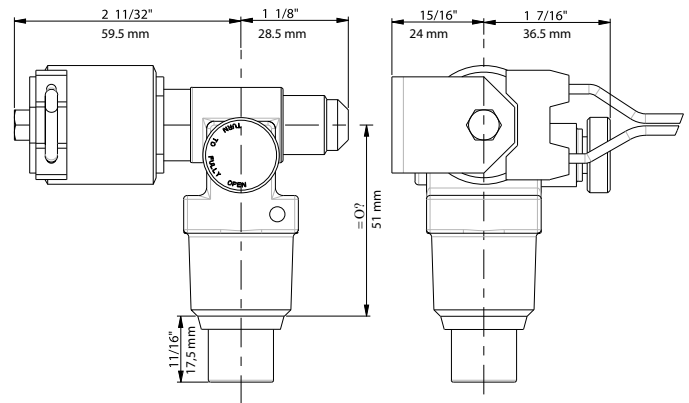
Code: 73.0.390.0002

### GENERAL INFORMATION

<b>APPLICATION</b>	Automotive
<b>MATERIAL</b>	Brass

### TECHNICAL DATA SHEET

Description	Value
<b>WORKING PRESSURE</b>	21.5 bar / 312 psi
<b>WORKING TEMPERATURE</b>	-40°C + 54.4°C / -40 °F + 130 °F
<b>CONTAINER CONNECTION</b>	3/4" NPT
<b>OUTLET CONNECTION</b>	5/8 SAE Flare
<b>WRENCH FLAT SIZE</b>	30 mm / 1 3/16"
<b>EXCESS FLOW CLOSING</b>	5.3 L Liquid Propane / 1.4 GPM Liquid Propane



## Manual Service Valve

- Equipped with an Excess Flow device
- Pre-applied sealant on the container connection



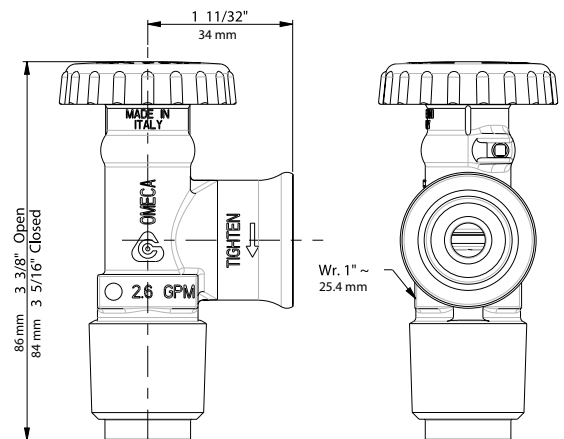
Code: 80.0.390.2146

### GENERAL INFORMATION

<b>APPLICATION</b>	Automotive
<b>MATERIAL</b>	Brass

### TECHNICAL DATA SHEET

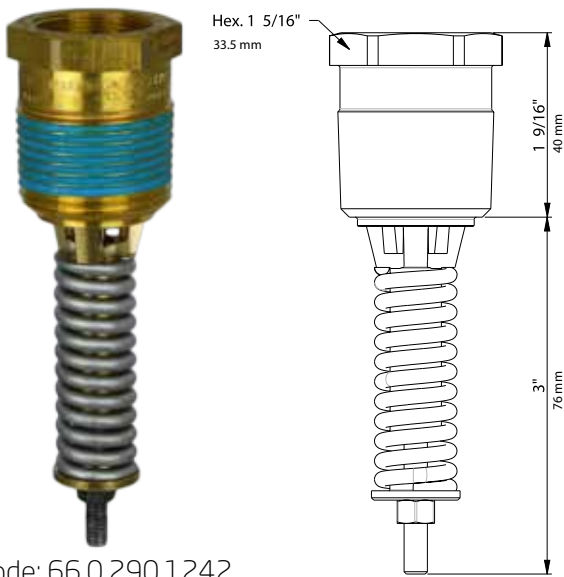
Description	Value
<b>WORKING PRESSURE</b>	17.2 bar - 250 psi
<b>WORKING TEMPERATURE</b>	-40°C + 54.4°C / -40 °F + 130 °F
<b>TANK CONNECTION</b>	3/4" NGT
<b>OUTLET CONNECTION</b>	CGA 510
<b>WRENCH FLAT SIZE</b>	25 mm / ~ 1"
<b>EXCESS FLOW CLOSING</b>	9.8 L Liquid Propane / 2.6 GPM Liquid Propane





## Safety Relief Valve 1" NPT 21.5 BAR / 312 PSI

- Equipped with rain cap for protection against contamination
- Pre-applied sealant on the container connection



Code: 66.0.290.1242

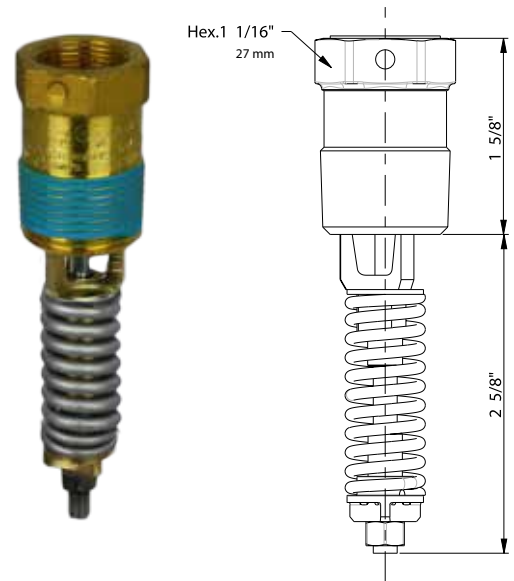
### GENERAL INFORMATION

<b>APPLICATION</b>	Automotive
<b>MATERIAL</b>	Brass

### TECHNICAL DATA SHEET

Description	Value
<b>WORKING PRESSURE</b>	17.2 bar / 250 psi
<b>WORKING TEMPERATURE</b>	-40°C + 54.4°C / -40 °F + 130 °F
<b>CONTAINER CONNECTION</b>	1" NPT
<b>START TO DISCHARGE SETTING PSI</b>	21.5 bar / 312 psi
<b>UL (AT 120% OF SET PRESSURE) FLOW CAPACITY</b>	1122 SCFM - AIR / 31.8 m <sup>3</sup> /min - AIR
<b>(AT 120% OF SET PRESSURE) FLOW CAPACITY</b>	1011 SCFM - AIR / 28.6 m <sup>3</sup> /min - AIR
<b>WRENCHING HEX</b>	33.5 mm / 1 5/16"

## Safety Relief Valve 3/4" NPT 21.5 BAR / 312 PSI



Code: 66.0.290.1162

### GENERAL INFORMATION

<b>APPLICATION</b>	Automotive
<b>MATERIAL</b>	Brass

### TECHNICAL DATA SHEET

Description	Value
<b>WORKING PRESSURE</b>	17.2 bar / 250 psi
<b>WORKING TEMPERATURE</b>	-40°C + 54.4°C / -40 °F + 130 °F
<b>CONTAINER CONNECTION</b>	3/4" NPT
<b>START TO DISCHARGE SETTING PSI</b>	21.5 bar / 312 psi
<b>UL (AT 120% OF SET PRESSURE) FLOW CAPACITY</b>	657 SCFM - AIR / 18.6 m <sup>3</sup> /min - AIR
<b>(AT 120% OF SET PRESSURE) FLOW CAPACITY</b>	690 SCFM - AIR / 19.5 m <sup>3</sup> /min - AIR
<b>WRENCHING HEX</b>	27 mm / 1 1/16"

## Remote European Filler Valve Elbowed with 1/2 SAE Flare



○ Allows the filling through the EN 12806 Euro connection

**UL** UL 125 - UL 1337 Certified

Code: 66.0.290.1292

## Adapter M33 x 2 to 1 3/4 - 6 ACME



○ The adapter converts the EN 12806 connection to ACME connection

○ It prevents the adapter disassembly in case of accidental rotations of the filling head

Code: 16.0.950.0320

Female Thread	Male Thread
M33 x 2	1 3/4 - 6 ACME

## TECHNICAL DATA SHEET

Description	Value
<b>WORKING PRESSURE</b>	17.2 bar / 250 psi
<b>WORKING TEMPERATURE</b>	-40°C + 54.4°C / -40 °F + 130 °F
<b>PIPE CONNECTION</b>	1/2 SAE FLARE
<b>OUTLET CONNECTION</b>	Φ 30 bar - EN12806
<b>WRENCHING HEX</b>	14.2 mm / 9/16"

## Adapter 1 3/4 - 6 ACME to EURO EN12806



○ The adapter converts the ACME connection to EN 12806 connection

Code: 16.0.950.0331

Female Thread	Male Thread
1 3/4 - 6 ACME	EURO EN 12806

## TECHNICAL DATA SHEET

Description	Value
<b>WORKING PRESSURE</b>	17.2 bar / 250 psi
<b>WORKING TEMPERATURE</b>	-40°C + 54.4°C / -40 °F + 130 °F
<b>INLET THREAD</b>	3/8 SAE FLARE
<b>OUTLET THREAD</b>	3/8 SAE FLARE
<b>INTEGRATED HYDROSTATIC PRV START TO DISCHARGE SETTING</b>	27.6 bar / 400 psi

## TECHNICAL DATA SHEET

Description	Value
<b>WORKING PRESSURE</b>	17.2 bar / 250 psi
<b>WORKING TEMPERATURE</b>	-40°C + 54.4°C / -40 °F + 130 °F
<b>CONTAINER CONNECTION</b>	1/4"-18 NPT
<b>START TO DISCHARGE SETTING</b>	30.3 bar / 440 psi
<b>WRENCHING HEX</b>	14.2 mm / 9/16"

## Dual Check T-Connector



○ Should the two tank pressures become unequal, this connector will draw LPG from the tank with the higher pressure until both pressures equalize; LPG will then be drawn from both tanks

**UL** UL 125 - UL 132 Certified

Code: 66.0.290.1313

## Hydrostatic Pressure Relief Valve



○ Provides pressure relief at or in excess of the stated pressure setting, protecting against line or plumbing system failures

**UL** UL 132 Certified

Code: 66.0.290.1311